

# *fubag*

Электростанция сварочная  
Welding power station

Operator's Manual  
Инструкция по эксплуатации

**WHS 190 DC**  
**WHS 210 DC**



[www.fubag.ru](http://www.fubag.ru)



**WARNING! BEFORE USING THE MACHINE READ THE INSTRUCTION MANUAL CAREFULLY!**

Our generators FUBAG are designed to give safe and dependable service if operated according to instructions.

Read and understand the manual before operating the generator FUBAG. Failure to do so could result in personal injury or equipment damage.

## 1. General safety



Exhaust gas contains poisonous carbon monoxide.

Never run the generator in an enclosed area. Be sure to provide adequate ventilation. When installed in ventilated protection are to be observed.



The muffler becomes very hot during operation and remains hot for a while after stopping the engine.

Be careful not to touch the muffler while it is hot. Let the engine cool before storing the generator indoors. The engine exhaust system will be heated during operation and remain hot immediately after stopping the engine.

To prevent scalding, pay attention to the warning marks attached to the generator.



Gasoline is extremely flammable and explosive under certain conditions. Refuel in a well ventilated area with the engine stopped.

Keep away from cigarette, smoke and sparks when refueling the generator. Always refuel in a well-ventilated location.

Wipe up spilled gasoline at once.



Connections for standby power to a building's electrical system must be made by a qualified electrician and must comply with all applicable laws and electrical codes. Improper connections can allow electrical current from the generator to back feed into the utility lines. Such back feed may electrocute utility company workers or others who contact the lines during a power outage, and when utility power is restored, the generator may explode, burn or cause fires in the building's electrical system.



**WARNING!**

- Always make a pre-operation inspection before you start the engine. You may prevent an accident or equipment damage.

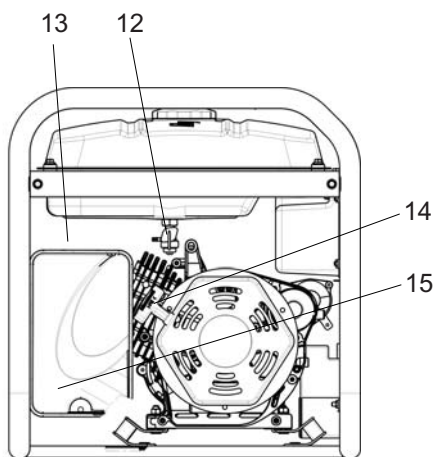
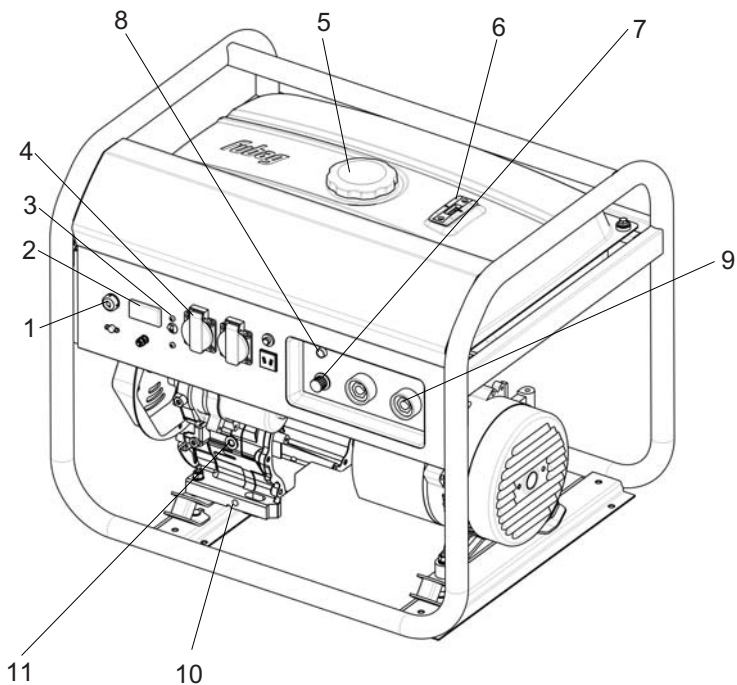
- Place the generator at least 5m away from buildings or other equipment during operation.
- Operate the generator on a level surface. If the generator is tilted, fuel spillage may result.
- Know how to stop the generator quickly and understand operation of all the controls. Never permit anyone to operate the generator without proper instructions.
- Keep children and pets away from the generator when it is in operation.
- Keep away from rotating parts while the generator is running.
- The generator is a potential source of electrical shocks when misused; do not operate with wet hands.
- Do not operate the generator in rain or snow and do not let it get wet.
- The power generator is a mains replacement that generates electrical power for supply to a mobile distribution system.
- The power generator must be operated outdoors within the prescribed voltage, output and rated speed limits (see type plate).
- The power generator must not be connected to other electrical supply systems or electric generation systems (e.g. other power generators).
- The power generator may not be used in environments where there is a risk of explosion.
- The power generator may not be used in environments where there is a risk of fire.
- The power generator must be operated in accordance with the conditions set out in the technical documentation.
- All improper use of the power generator including all uses not described in these instructions will constitute unauthorized incorrect usage for which the manufacturer is not legally liable.
- Operation in environments where there is a risk of explosion and fire.
- Operation in enclosed areas and under direct exposure to rain or snowfall.
- Operation without the requisite safety precautions and connected to existing supply network systems.
- Spraying with high-pressure cleaners or fire extinguishing equipment.
- Non-compliance with regular servicing requirements.
- Failure to carry out measurements and checks for early detection of defects.
- Know and apply the Prevention of Injury regulations and the safety instructions for the power generator.
- Understand and be able to practically implement the technical documentation.
- The operator must know the functions of, and be able to use, the components of the power generator.
- The operator must wear the appropriate personal safety equipment.
- The labelling on the electrical generator must be complete and maintained in a readable condition.
- Constructive changes may not be carried out on the electrical generator.
- The rated speed of the motor has been set during manufacture and may not be changed.
- The operating safety and correct functioning must be checked before and after each use.
- No naked flames, lights or spark-emitting appliances may be used within the hazard area of the power generator.
- Smoking within the hazard area of the power generator is strictly forbidden.
- During operation, the power generator must be protected from dirt and foreign matter.
- The power generator may only be transported when cold.
- The power generator may only be lifted using the carry handles intended for this purpose.
- The electrical safety must be checked before each operational use.
- The appliance may not be covered. The air intake may not be blocked or obstructed.
- When starting, the load may not be connected.
- Only certified and approved cables may be used for the wired network.
- The power drawn may not exceed the maximum rated power.

- The power generator may not be operated without the sound absorber.
- The power generator may not be operated without the air filter or with the air filter cover open.
- The generator's tank may not be refilled during operating.
- The tank may not be refilled when the power generator is hot.
- The power generator may not be cleaned and serviced when in operation; when hot.
- Always remove spark plug connector prior to commencing servicing and repair work.
- The power generator must be shut down when not required for periods longer than 30 days.
- The power generator must be stored in a dry enclosed room.

### **Safety welding operation**

- No work of power station in a mode "welding" and "generator" is forbidden. Before carrying out of welding works disconnect all consumers from sockets.
- It is highly recommended always to follow the safety rules. Wear protective clothes and special means to avoid injuries to eyes and skins.
- Use the welding mask or special protective glasses while working with the welding machine. Only by viewing through the filter lens on the welding mask your eyes are secured by your operation.
- Prevent the sparks and spatter from harming your body.
- Under no circumstance allow any part of your body to touch the welder's output bipolarity (torch and work piece).
- Fumes and gases produced when welding are hazardous to health. Make sure to work in places where there are exhaust or ventilation facilities to keep fumes or emissions away from the breathing zone.
- Please remember to keep arc rays away from the other nearby people when welding. This is only due to the interference from arc rays.
- There will be high temperature when welding work piece, so please don't directly touch on it
- No welding for the container loaded inflammable or explosive materials.
- Welders possible have electromagnetism and frequency interference, so keep away people with heart pace or the articles which can be interfered by electromagnetism and frequency.
- Taking welder power for pipe unfreezing device will be prohibited.
- Check is needed from time to time to make sure the welding cable is in good condition if the welding machine is in frequent use. Check at least once each month if the welder is in regular use. It is necessary to check when the welder is in mobile use.
- Electrode must be taken down from holder when no welding.

## 2. Description



1. Starting key
2. Digital display
3. Circuit breaker
4. Socket 220V
5. Fuel tank cap
6. Fuel gauge
7. Current regulation knob
8. Indicator lamp
9. Welder terminals
10. Oil drain plug
11. Oil filler cap
12. Fuel valve
13. Choke lever
14. Recoil starter
15. Air cleaner

### 3. Specifications

Specifications\Model	WHS 190 DC	WHS 210 DC
Rated voltage, V	230	230
Rated frequency, Hz	50	50
Max. output, kVA	4,5	5
Rated output, kW	4	4,5
Rated current, A	18,2	20,5
Cos phi	1	
IP	IP23	
Motor type	HONDA GX390	
Power, kW/hp	9,6/13	
Fuel	automotive unleaded gasoline	
Tank capacity, l	25	25
Oil tank capacity, l	1,1	1,1
Oil type	SAE 10W30	
Starting system	electric/recoil starter	
Weight (without fuel), kg	89	92
Dimension, mm	729x537x592	729x537x592
<b>Welding specifications</b>		
Welding current type	DC	
Welding current, A	50-190	60-210
Rated no-load voltage, V	65	65
Welding current of duty cycle 60%, A	120	140
Min. electrode diameter, mm	1,6	
Max. electrode diameter, mm	4	5

The manufacturer reserves himself the right to make the manual's content or power generator function change without any preliminary notification of the users.

### 4. Putting the Power Generator into Operation

#### Operating conditions

Power stations provide steady work at ambient temperature from -15°C to +40°C, (gasoline and oil type should be picked up according to these conditions). Relative humidity <60%.

Generating set performance is reduced by approximately 4% for every additional 10°C and/or approximately 1% for every additional 100m in altitude.

**Positioning the generating set for operation**

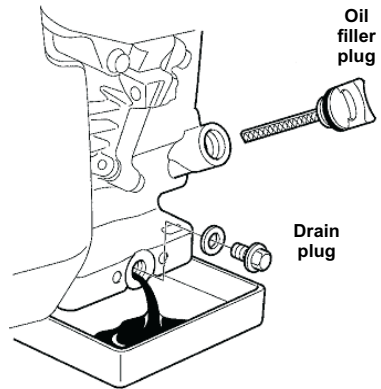
Place the generating set on a flat, horizontal surface which is firm enough to prevent the set sinking down (under no circumstances should the set tilt any direction by more than 10°).

**Earthing the generating set**

To earth the generating set, use a 10 mm<sup>2</sup> copper wire attached to the generating set earth connection and to an earthing rod of galvanised steel set in the ground to a depth of 1 metre. This also dissipates the static electricity that builds up in the electrical machines.

**Checking the oil level**

- Remove the dipstick/plug on the exhaust side by unscrewing it, and wipe the dipstick.
- Insert the dipstick into the filler neck without screwing it in. A second plug, without a dipstick, is available if necessary on the other side of the engine.
- Check the level and top up if necessary. If it is necessary:
- Using a funnel, fill the engine oil sump right up to the top of the filler opening.
- Screw the plug fully back onto the filler tube.
- Check that there are no leaks.
- Wipe off excess oil with a clean cloth.



Single grade	5W	10W	20W	#20	#30	#40	
Multigrade	10W-30						
	10W-40						
Ambient temperature	-20	-10	0	10	20	30	40°C
	-4	14	32	50	68	86	104°F

**Checking the fuel level**

Check the fuel level and top up if necessary:

- See the fuel tank indicator.
- Fill the tank using a funnel, taking care not to spill petrol.
- Screw the cap back on to the fuel tank.

Only use clean fuel without any water. Do not overfill the tank (there should not be any fuel in the filler neck). When you have filled up, ensure that the tank cap is closed correctly.

Take care not to spill any fuel when filling the tank.

Before starting up the generating set, and if any fuel has been spilt, make sure that it has dried and that the vapours have cleared away.

## 5. Using the generator set

### Starting

1. Open the fuel tap by turning lever to the right.

2. Move the choke knob to the closed position.

**Note:** Do not use the choke when the engine is warm or when the atmospheric temperature is high.

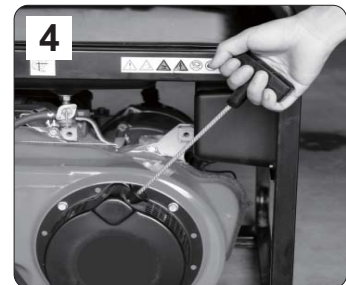
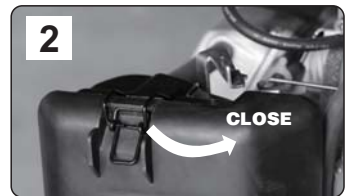
3. Move the engine switch to ON.

4. Pull the starter handle slowly until resistance is felt. Return the handle to its original position and pull swiftly. Do not fully pull out the rope. After starting, allow the starter return to its original position while still holding the handle.

5. When the engine has started, gradually open the choke.

If the engine has not started, repeat the procedure until the engine starts while gradually opening the choke.

Warm up the engine without load for a few minutes.





### Using electric power

1. Check the voltmeter display for proper voltage.
2. Check the amperage of the socket, and be sure not to take a current exceed the exceed the specified amperage. Be sure that the total wattage of all appliances does not exceed the rated output of the machine.
3. Turn off the switch(es) of the electrical appliance(s) before connecting to the machine.
4. Insert the plug(s) of the electrical appliance(s) into the receptacle.

### Welding instructions

*No work of power station in a mode "welding" and "generator" is forbidden. Before carrying out of welding works disconnect all consumers from sockets.*

1. Check the welding cable, connect the welding cables to the welder's DC terminals.
2. Start the engine, run at no load to warm up fully.
3. Set the current adjust knob to the proper current level.

Plate thickness	Electrode diameter	Settings current
2.0~3.0 mm	2.0 mm	50-80 A
3.0~4.0 mm	3.2 mm	70-120 A
4.0~6.0 mm	4.0 mm	110-170 A
7.0+mm	5.0 mm	140-210 A

### Switching off

1. Take the plugs out of the sockets and allow the engine to run without any charge for 1 to 2 minutes.
2. Place the engine switch on "OFF" and the set will stop.
3. Close the fuel tap.

### Oil sensor

The oil sensor detects the fall in oil in the crankcase and automatically stops the engine when the oil level falls down below the safety limit. If the engine does not start by usual starting procedures, check the oil level.

### High altitude operation

At high altitude, the standard carburetor air-fuel mixture will be excessively rich. Performance will decrease, and fuel consumption will increase. High altitude performance can be improved by installing a smaller diameter main fuel jet in the carburetor and readjusting the pilot screws. If you always operate the generator at altitudes higher than 1000 m above sea level, have your authorized dealer perform these carburetor modifications.

Even with suitable carburetor jetting, engine horsepower will decrease approximately 3.5% for each 300 m increase in altitude. The affect of altitude on the horsepower will be greater than this if no carburetor modification is made.

Operation of the generator at an altitude lower than the carburetor is jetted for may result in reduced performance,overheating,and serious engine damage caused by an excessively lean air/fuel mixture.

**Preparation and maintenance in winter time**

Maintenance in winter time is considered to be the period when the temperature of the ambient air is fixed below +5°C. The low temperature of the ambient air hampers the engine start, negatively influences the operation of all its systems. To prepare the generator and provide its further no-failure operation it is necessary to make the following steps:

- Use up all the old fuel completely, discharge the remaining one.
- Clean the filter of the fuel valve.
- Check the air filter. Change it if necessary.
- Substitute the engine oil for the oil corresponding to the season.
- Fill the fuel tank with the fuel to avoid ingress of water and its further freezing in the fuel tank and the carburetor.

The generator is to be kept in a place at the temperature from +5°C and above in winter time. If the engine stops for more than 15 minutes during the operation at negative temperatures it is necessary to place the set into a warm place to prevent the condensate freezing in the breather pipe and the throttle before its start. It may cause the pressure boost in the crankcase housing and the gaskets break down. The monitoring of the set operation is to be carried out oftener than under usual operating conditions as they are considered to be rough.

**6. Maintenance**

- The maintenance interval frequency and the operations to be carried out are outlined in the maintenance programme.
  - However, it should be added that it is the environment in which the generating set is operating which determines this programme. Accordingly, if the set is used in extreme conditions, shorter intervals between maintenance procedures should be adopted.
- These maintenance schedules apply only to generating sets running on fuel and oil, that conform to the specifications given in this booklet.

Daily	<ul style="list-style-type: none"> <li>• Check the air cleaner</li> <li>• Check oil level and refill to the upper level before starting the engine.</li> <li>• Check all the points indicated in " Putting the Generator into Operation".</li> </ul>
50 hours (Weekly)	<ul style="list-style-type: none"> <li>• Clean and wash air-cleaner element.</li> <li>• More often if used in dirty or dusty environments.</li> <li>• Change engine oil.(The initial oil change must be conducted after the 25 hours operation.)</li> <li>• Check spark plug, and clean and adjust if necessary.</li> <li>• Check and clean the fuel shut-off valve.</li> </ul>
100 hours	<ul style="list-style-type: none"> <li>• Replace spark plug.</li> <li>• Replace air-cleaner element.</li> <li>• Decarbonize cylinder head, valves and piston.</li> <li>• Check and replace carbon brushes.</li> </ul>
300 hours or every year	<ul style="list-style-type: none"> <li>• Inspect control panel components.</li> <li>• Check rotor and stator.</li> </ul>
3 years	<ul style="list-style-type: none"> <li>• Replace engine mount rubber.</li> <li>• Overhaul engine.</li> <li>• Change fuel lines.</li> </ul>

### Renewing the motor oil

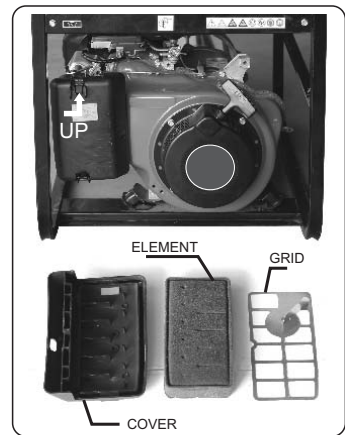
Initial oil change should be performed after the first 25 hours of use. Thereafter, change oil every 50 hours. Before changing oil, check for a suitable way to dispose of the old oil. Do not pour it down into sewage drains, onto garden soil or into open streams.

Drain the oil when the engine is still warm, to ensure that drainage is rapid and complete.

1. Place an appropriate container under the drain plug, remove the dipstick/filler plug and the drain plug.
2. On completion, screw in and tighten the drain plug.
3. Fill the engine oil sump with the recommended oil, then check the level.
4. Reposition the dipstick/filler plug and tighten.
5. After filling, check that there are no oil leaks.
6. Wipe off any trace of oil with a clean cloth.

### Cleaning the air filter

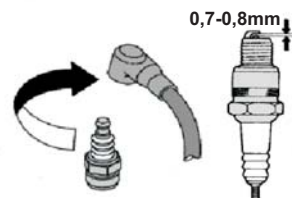
1. Remove the air filter cover, then remove the latter.
2. Remove the assembly consisting of element and grid, and separate them. Check carefully that the element is not torn or pierced. Replace them if they are damaged.
3. Wash the foam element in a solution of household cleaning product and warm water, then rinse thoroughly, or wash it in non-flammable solvent or solvent with a high flash point. Leave the element to dry fully. Soak the element in clean engine oil and remove the excess oil. The engine will smoke when it is started for the first time if too much oil remains in the foam.
4. Carry out refitting following the reverse procedure to that used for removal.



### Checking the spark plug

1. Remove the spark plug cap and use a spark plug spanner to remove the spark plug.
2. Visually inspect the spark plug and discard it if the electrodes are worn or if the insulation is split or chipped. If it is to be re-used, clean the spark plug with a wire brush.
3. Measure the electrode gap with a feeler gauge. The electrode gap should be from 0,7 to 0,8 mm. Check that the spark plug washer is in good condition and screw the spark plug in by hand, in order to avoid damaging the threads.
4. After fitting the spark plug, tighten it with a spark plug spanner to secure the washer.

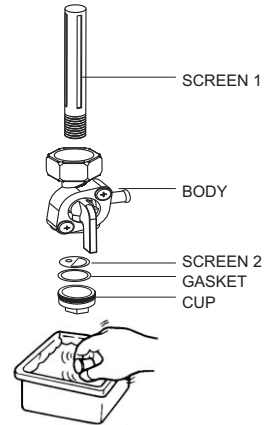
**Note:** when fitting a new spark plug, tighten it by 1/2 turn after it is in place, in order to press the washer tightly. For the installation of an old spark plug, tighten it by a 1/8–1/4 turn after it is in place, in order to press the washer tightly.



### Cleaning fuel strainer

Dirt and water in the fuel are removed by the fuel strainer.

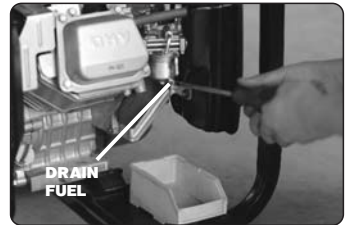
1. Remove the strainer cup and throw away water and dirt.
2. Clean the screens and strainer cup with gasoline.
3. Tightly fasten the cup to main body, making sure to avoid fuel leak.



## 7. Preparation for storage

Certain operations must be carried out on generating sets which are to remain unused for a long period of time, in order to keep them in good condition. Check that the storage area is not dusty or humid. Clean the exterior of the generating set and apply a rustproofing product.

- Drain fuel from fuel tank carefully. Gasoline left in the fuel tank will eventually deteriorate making engine-starting difficult.
- Loosen the drain screw on the bottom of the carburetor float chamber, and drain the fuel completely.
- Change engine oil.
- Check for loose bolts and screws, tighten them if necessary.
- Clean generator thoroughly with oiled cloth. Spray with preservative if available.
- Pull starter handle until resistance is felt, leaving handle in that position.
- Store generator in a well ventilated, low humidity area.



## 8. Trouble Shooting

When welder engine fails to start after several attempts, or if no electricity is available at the output socket, check the following chart. If your welder still fails to start or have no electricity, contact your nearest welder dealer for further information or corrective procedures.

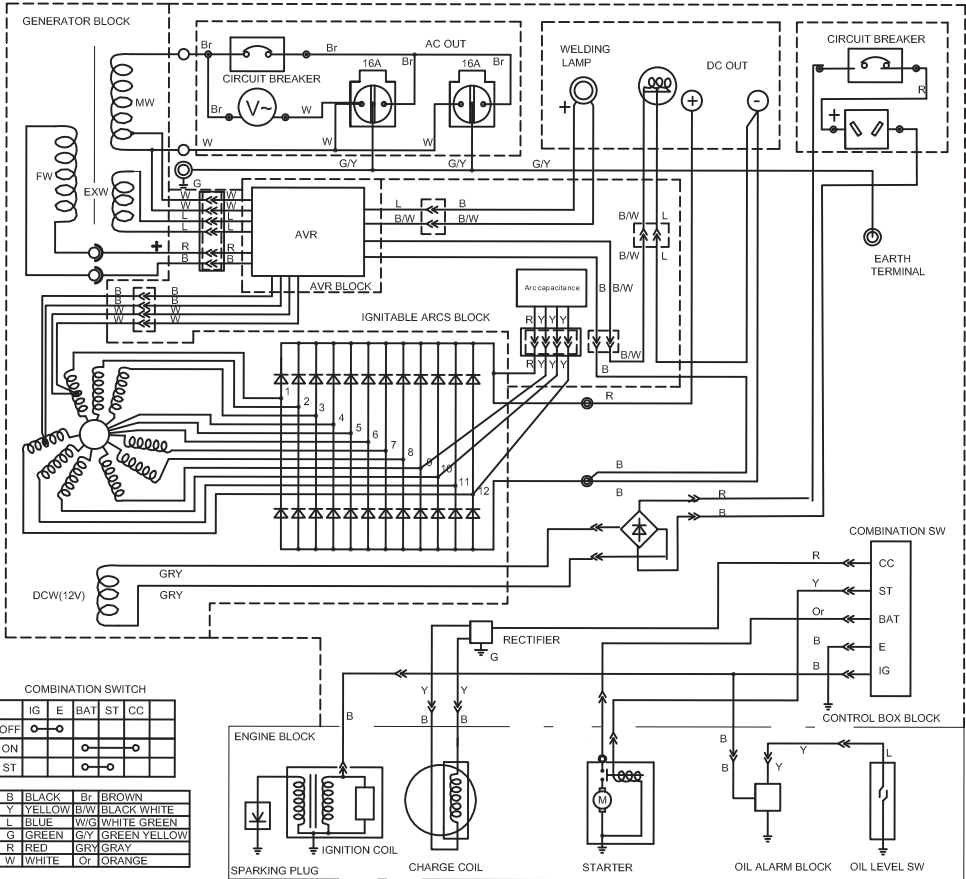
### When Engine Fails to Start:

Check if choke lever is in its proper position		Set the choke lever to "CLOSE" position.
Check if fuel cock is open.	↔	If closed, open fuel cock.
Check fuel level.		If empty, refill fuel tank making sure not to overfill
Check to make sure generator is not connected to an appliance.		If connected, turn off the power switch on the connected appliance and unplug.
Check spark plug for loose spark plug cap.	↔	If loose, push spark plug cap back into place.
Check spark plug for contamination.		Remove spark plug and clean electrodes.

### When No Electricity Is Generated at Receptacle:

Check to make sure no-fuse breaker is in the ON Position.	↔	After making sure that the total wattage of the electrical appliance is within permissible limits and there are no defects in the appliance, turn the circuit breaker to the "ON" position. If breaker, continue to actuate, consult your nearest servicing dealer.
Check DC terminals for loose connections.		Secure connections if necessary.
Check the appliance or equipment have any defects .	↔	Replace or repair it.

## 9. Wiring diagram



## 10. Warranty

Warranty refer to defects of materials and components and do not refer to components subject to natural wear and maintenance work.

Only machines cleaned from dust and dirt in original factory packing fully completed, provided with instruction manual, warranty card with fixed sales date with a shop stamp factory serial number and originals of sales and ware receipt issued by salesman are subjects of warranty. Within the warranty period the service center eliminate free of charge all detected production defects. The manufacturer disclaims warranty and legal responsibilities if nonobservance of the instruction manual by user, unqualified disassembling repair or maintenance of the machine as well does not bear responsibility for caused injury to persons or damages.

**ВНИМАНИЕ! ПЕРЕД ИСПОЛЬЗОВАНИЕМ ЭЛЕКТРОСТАНЦИИ ВНИМАТЕЛЬНО ОЗНАКОМЬТЕСЬ С ДАННОЙ ИНСТРУКЦИЕЙ.**

К использованию и обслуживанию электростанции допускается только квалифицированный и специально обученный персонал, ознакомленный с данной инструкцией.

В этой инструкции содержится описание, правила безопасности и вся необходимая информация для правильной эксплуатации электростанции FUBAG. Сохраняйте данную инструкцию и обращайтесь к ней при возникновении вопросов по безопасной эксплуатации, обслуживанию, хранению и транспортировке электростанции FUBAG.

## 1. Правила безопасности



Выхлопы содержат вредный угарный газ. Никогда не эксплуатируйте электростанцию в закрытом помещении. Перед включением убедитесь, что обеспечена хорошая вентиляция. При установке в хорошо проветриваемых зонах обращайте внимание на обеспечение безопасности.



При работе электростанции глушитель становится очень горячим и остывает некоторое время после ее выключения. Будьте внимательны и не дотрагивайтесь до глушителя, пока он горячий. Дайте двигателю остыть до того, как поставить его на хранение в помещение.

Выхлопная система двигателя будет нагреваться при работе и останется горячей некоторое время после выключения двигателя.

Для предотвращения ожогов обращайте внимание на предупредительные наклейки на электростанции.



Бензин является легко воспламеняемым и взрывоопасным веществом. Осуществляйте заправку электростанции топливом только в хорошо проветриваемых зонах при выключенном и остывшем двигателе. Поблизости не должно быть курящих, источника искр и дыма. Всегда заправляйте электростанцию в хорошо проветриваемом месте. Пролитый бензин необходимо сразу удалить.



Подсоединение электростанции к электросистеме должно осуществляться только квалифицированным электриком и должно соответствовать всем электротехническим правилам и нормам. Неправильное подсоединение к системе может стать причиной выхода из строя электрогенератора, неисправности электросети и подключенных к ней электроприборов, а также привести к поражению электричеством людей.



- Всегда проводите предэксплуатационный осмотр электростанции до запуска двигателя. Вы можете предотвратить аварию или повреждение оборудования.

- При работе размещайте электростанцию на расстоянии не менее 5м от зданий/стен или другого оборудования.
- Во время работы электростанция должна стоять на горизонтальной поверхности.
- Внимательно изучите и запомните параграфы инструкции, касающиеся остановки электростанции, и органов управления. Не допускайте к работе с электростанцией лиц, не ознакомившихся с инструкцией.
- Не допускайте к работающей электростанции детей и домашних животных.
- Электростанция является источником электротока и при неправильной эксплуатации может стать причиной поражения электрическим током. Не осуществляйте эксплуатацию электростанции мокрыми руками и при большой влажности.
- Не эксплуатируйте электростанцию в дождь или снег и не допускайте попадания на нее влаги.
- Лицам, работающим с электростанцией, необходимо знать его устройство, функции его элементов и уметь их использовать.
- Работающие с электростанцией несут ответственность за безопасность его эксплуатации.
- Работающие с электростанцией несут ответственность за то, чтобы к нему не допускались лица, не имеющие соответствующей квалификации.
- Работающие с электростанцией обязаны использовать защитное снаряжение.
- На корпусе электростанции должны присутствовать и быть легко читаемыми все обозначения.
- Любые изменения конструкции электростанции запрещаются. Запрещается изменять частоту вращения двигателя, установленную заводом-производителем.
- Перед каждым запуском и после него следует проверять безопасность и исправность прибора.
- Электростанцию можно использовать только вне закрытых помещений.
- Вблизи электростанции необходимо остерегаться открытого огня и искр. Курение вблизи электростанции строго запрещается.
- Электростанцию необходимо защищать от попадания в нее грязи и инородных предметов.
- Электростанцию разрешается транспортировать только в охлажденном состоянии.
- Электростанцию разрешается перевозить, только если она надёжно зафиксирована и не может опрокинуться.
- Перед каждым запуском необходимо проверить электробезопасность.
- Запрещается использовать средства для облегчения запуска.
- Подключать потребители электроэнергии можно только после запуска и прогрева двигателя.
- Необходимо использовать только качественные и исправные соединительные провода.
- Общая мощность подключаемых потребителей, по активной нагрузке, не должна превышать номинальной расчетной мощности электростанции. Общая мощность подключаемых потребителей, по индуктивной нагрузке, не должна превышать 0,5 от номинальной мощности электростанции.
- Запрещается использовать электростанцию без глушителя, воздушного фильтра или при открытой крышке воздушного фильтра
- Запрещается производить заправку электростанции во время работы. Запрещается производить заправку не остывшей электростанции. Используйте при заправке воронку.
- Запрещается производить чистку электростанции во время работы. Запрещается производить чистку ещё не остывшей электростанции.
- Запрещается обслуживать электростанцию во время работы. Запрещается обслуживать не остывшую электростанцию.

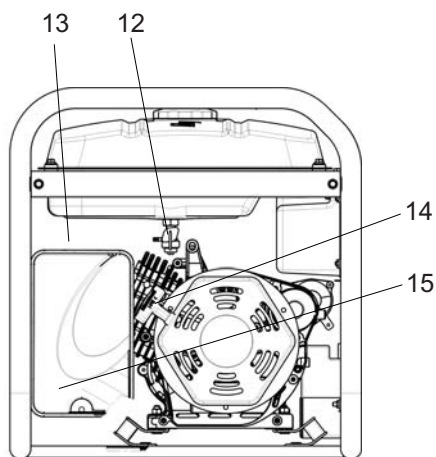
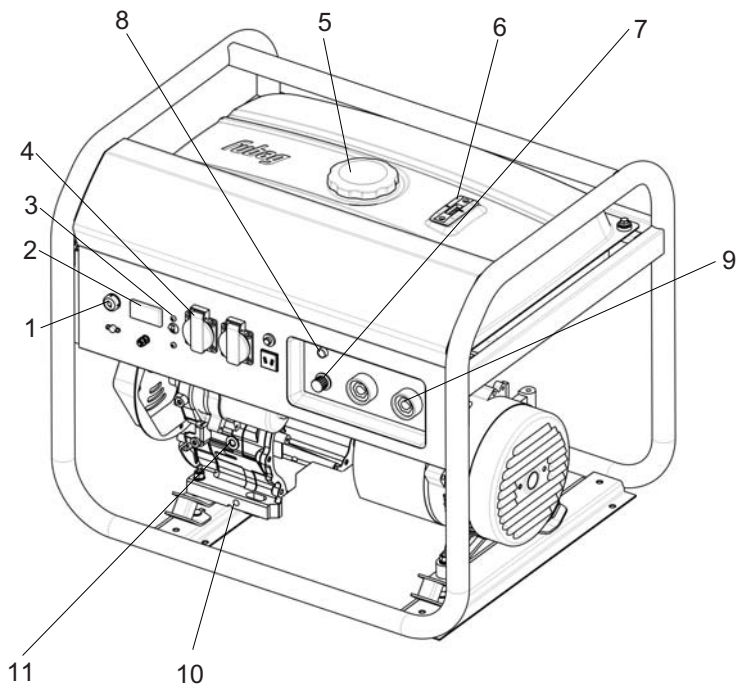


- Обслуживающему персоналу разрешается производить только те работы по обслуживанию электростанции, которые описаны в данном руководстве. Любые другие работы разрешается проводить только специалистам сервисной службы.
- Перед началом работ по обслуживанию и ремонту обязательно снимайте колпачок свечи зажигания.
- Соблюдайте интервалы технического обслуживания, указанные в руководстве.
- Консервируйте электростанцию, если им не пользуются более 30 дней.
- Храните электростанцию в сухом и закрытом помещении.

### **Меры безопасности при сварочных работах.**

- Запрещается одновременная работа электростанции в режиме "сварка" и "генератор". Перед проведением сварочных работ отсоедините всех потребителей от розеток.
- Всегда надевайте защитную маску во время работы сварочным аппаратом или используйте очки с защитным затемненным стеклом.
- Старайтесь, чтобы искры и брызги не попали на тело.
- Избегайте контактов с открытыми токоведущими кабелями сварочного аппарата, не прикасайтесь к электрододержателю/горелке и свариваемой поверхности.
- Дым и газ, которые попадают в воздух при сварке, опасны для здоровья. Перед началом работ убедитесь, что вытяжка и вентиляция исправно работают.
- Убедитесь, что излучение дуги не попадет на других людей, находящихся поблизости от места сварки.
- Помните, что при сварке температура обрабатываемой поверхности повышается, поэтому старайтесь не прикасаться к обрабатываемым деталям во избежание ожогов.
- Никогда не производите сварку емкостей, в которых могут содержаться легковоспламеняющиеся или взрывоопасные материалы.
- Сварочные аппараты излучают электромагнитные волны и создают помехи для радиочастот, поэтому следите за тем, чтобы в непосредственной близости от аппарата не было людей, которые используют стимулятор сердца или другие принадлежности, для которых электромагнитные волны и радиочастоты создают помехи.
- Запрещено использовать сварочный аппарат для размораживания труб.
- Время от времени следует проверять состояние сварочного кабеля. Если аппарат используется регулярно, его следует проверять не менее одного раза в месяц.
- Если аппарат не эксплуатируется, электрод следует вынимать из держателя.

## 2. Описание



1. Выключатель двигателя
2. Цифровой вольтметр
3. Защита от перегрузки
4. Розетка 220 В
5. Крышка топливного бака
6. Индикатор уровня топлива
7. Регулятор тока
8. Индикатор работы
9. Сварочные клеммы
10. Пробка слива масла
11. Крышка маслозаливной горловины
12. Топливный кран
13. Воздушная заслонка
14. Ручной стартер
15. Воздушный фильтр

### 3. Технические характеристики

Параметр\Модель	WHS 190 DC	WHS 210 DC
Номинальное напряжение, В	230	230
Частота, Гц	50	50
Максимальная мощность, кВА	4,5	5
Номинальная мощность, кВт	4	4,5
Номинальный ток, А	18,2	20,5
Коэффициент мощности, cos φ	1	
Класс защиты	IP23	
Двигатель	HONDA GX390	
Мощность двигателя, кВт/л.с	9,6/13	
Топливо	Автомобильный бензин А-92	
Объем топливного бака, л	25	25
Объем масляного картера, л	1,1	1,1
Тип масла	SAE 10W30	
Тип стартера	ручной	
Вес (без топлива), кг	89	92
Габаритные размеры, мм	729x537x592	729x537x592
<b>Сварочные характеристики</b>		
Род сварочного тока	Постоянный DC	
Диапазон регулировки сварочного тока, А	50-190	60-210
Напряжение холостого хода, В	65	65
Сварочный ток при ПВ=60%, А	120	140
Минимальный диаметр электрода, мм	1,6	
Максимальный диаметр электрода, мм	4	5

Производитель имеет право вносить изменения, как в содержание данной инструкции, так и в конструкцию электростанции без предварительного уведомления пользователей.

### 4. Ввод в эксплуатацию

#### Условия эксплуатации

Электростанции обеспечивают устойчивую работу при температуре окружающей среды от -15°C до +40°C, (тип бензина и масла должны быть подобраны в соответствии с этими условиями). Относительная влажность: <60%

Характеристики электростанции снижаются на 4 % при увеличении температуры на каждые 10°C и/или примерно на 1% при увеличении высоты над уровнем моря на каждые 100 метров.

### Место эксплуатации

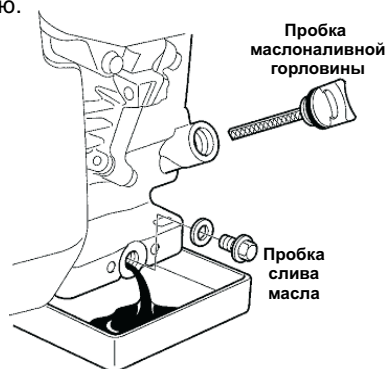
Выберите чистое, хорошо проветриваемое и защищенное от неблагоприятного атмосферного воздействия место. Установите электростанцию на ровную горизонтальную площадку, достаточно прочную, чтобы выдержать вес установки (наклон установки во всех направлениях не должен превышать 10°).

### Заземление генераторной установки

Для заземления электростанции установки используйте медный провод сечением 10 мм<sup>2</sup>, который следует соединить с точкой заземления установки и со штырем заземления из оцинкованной стали, углубленным на 1 метр в землю.

### Проверка уровня масла

- Отверните пробку маслоналивной горловины.
- Проверьте уровень масла. Уровень должен находиться выше середины по масломерному щупу.
- Добавьте масло при необходимости.
- Заверните пробку маслоналивной горловины.
- Удалите подтеки масла чистой тканью.



Незагущенное мало	5W	10W	20W	#20	#30	#40	
Загущенное мало	10W-30						
	10W-40						
Тем-ра окружающей среды	-20	-10	0	10	20	30	40°C
	-4	14	32	50	68	86	104°F

### Проверка уровня топлива

Используя индикатор топлива проверьте его уровень. При необходимости, долейте топливо в следующем порядке:

- Закройте топливный кран.
- Заполните бак при помощи воронки, стараясь не пролить топливо.
- Заверните пробку топливного бака.

Используйте только чистое топливо без примеси воды. Не переполняйте топливный бак (внутри заправочной горловины не должно быть топлива).

По окончании заправки убедитесь, что пробка заливной горловины топливного бака правильно закрыта. Если было пролито топливо, то прежде чем включать установку, убедитесь, что топливо высохло и его пары испарились.

## 5. Эксплуатация

### Запуск

Убедитесь в том, что электростанция надежно заземлена.

1. Откройте топливный кран.

2. Закройте воздушную заслонку.

**Примечание:** не используйте воздушную заслонку при запуске горячего двигателя или при повышенной температуре окружающего воздуха.

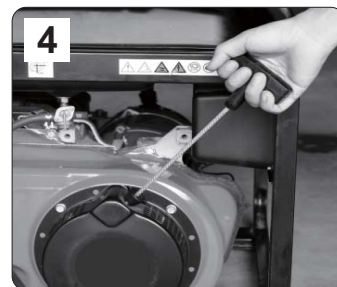
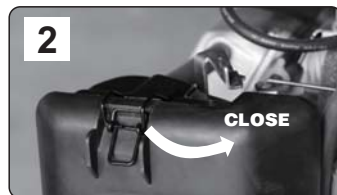
3. Поверните выключатель двигателя в положение ВКЛ.

4. Медленно потяните ручку стартера, пока не почувствуете некоторое сопротивление, затем медленно верните ее в исходное положение. Сильно и резко вытяните ручку стартера, затем медленно верните ее в исходное положение.

5. После запуска двигателя медленно верните воздушную заслонку в положение «OPEN».

Если двигатель не запустится, повторяйте эту операцию вплоть до запуска двигателя, постепенно открывая воздушную заслонку.

Прогрейте двигатель без нагрузки в течение нескольких минут.



### Подключение потребителей

1. Проверьте правильность напряжения по вольтметру.
2. Проверьте амперную нагрузку и убедитесь, что ток не превышает требуемое значение. Убедитесь, что общая потребляемая мощность приборов не превышает номинальную мощность электростанции.
3. Выключите электроприборы перед подсоединением к электростанции.
4. Подсоедините вилку электроприбора к розетке и включите его.

### Сварочные работы

*Запрещается одновременная работа электростанции в режиме "сварка" и "генератор". Перед проведением сварочных работ отсоедините всех потребителей от розеток.*

1. Проверьте сварочные кабели и подсоедините их к клеммам. Полярность подключения выбирайте в соответствии с типом электрода указанным на упаковке.
2. Запустите двигатель, дайте устройству проработать без нагрузки до полного нагрева.
3. Установите нужный ток сварки, используя регулятор тока.

Толщина пластины	Диаметр электрода	Настройки тока
2.0~3.0 мм	2.0 мм	50-80 А
3.0~4.0 мм	3.2 мм	70-120 А
4.0~6.0 мм	4.0 мм	110-170 А
7.0+мм	5.0 мм	140-210 А

### Выключение электростанции

1. Остановите и отключите приборы.
2. Дайте двигателю поработать вхолостую в течение нескольких минут.
3. Установите выключатель двигателя в положение OFF. Электростанция остановится.
4. Закройте топливный кран.

### Датчик масла

При низком уровне масла в картере двигатель останавливается автоматически. В этом случае необходимо проверить уровень масла и при необходимости долить.

### Эксплуатация в условиях высокогорья

При эксплуатации в условиях высокогорья топливовоздушная смесь в карбюраторе сильно обогащается. В этом случае выходная мощность сокращается, а объем потребления топлива возрастает.

Для восстановления производительности двигателя, достаточно установить топливный жиклер меньшего диаметра и отрегулировать контрольный винт карбюратора. Если двигатель эксплуатируется на высоте 1000 метров над уровнем моря, следует обратиться к уполномоченному представителю и приобрести карбюратор соответствующего типа. В противном случае, придется понизить выходную мощность.

Даже если карбюратор отвечает всем необходимым требованиям, мощность двигателя будет падать, приблизительно, на 3,5% на каждые 300 метров подъема выше уровня моря.

Если в стандартных условиях эксплуатации используется карбюратор, предназначенный для эксплуатации в условиях высокогорья, то в результате обеднения воздушно-топливной смеси выходная мощность двигателя понизится, что может привести к его перегреву и повреждению.

### Эксплуатация в зимний период

Зимним периодом эксплуатации считается такой период, когда температура окружающего воздуха устанавливается ниже +5°C. Низкая температура окружающего воздуха затрудняет пуск двигателя, оказывает отрицательное влияние на работу всех его систем. Для подготовки электростанции безаварийной его эксплуатации необходимо:

- полностью выработать старое топливо, остаток топлива слить через дренажное отверстие в нижней части карбюратора.
- произвести очистку фильтра топливного крана.
- проверить свечу зажигания. Если имеются повреждения, либо на керамической наружной части корпуса есть коричневый налет, необходимо заменить свечу.
- проверить воздушный фильтр, при необходимости заменить его.
- заменить моторное масло на соответствующее сезону.
- в топливный бак залить отстоянный бензин во избежание попадания и дальнейшего замерзания воды в топливном баке и карбюраторе.

В зимнее время электростанция должна храниться в помещении с температурой выше +5°C. Если во время работы при отрицательных температурах производится остановка двигателя более чем на 15 минут, то перед запуском необходимо поместить установку в теплое место для предотвращения замерзания конденсата в трубке сапуна и в дроссельной заслонке, так как это может привести к повышению давления в картере и выходу из строя сальников. Контроль за работой электростанции в этот период должен осуществляться чаще обычного, так как условия эксплуатации являются тяжелыми.

## 6. Техническое обслуживание

- Обслуживание аппарата может производиться только квалифицированным персоналом.
- Всегда выключайте электростанцию и снимайте колпачок свечи зажигания.

Проводите следующие работы по обслуживанию регулярно и с соблюдением указанных интервалов.

Ежедневно	<ul style="list-style-type: none"> <li>• Проверьте воздушный фильтр.</li> <li>• Перед запуском двигателя проверьте уровень масла и долейте до верхнего уровня.</li> <li>• Проверьте все пункты, указанные в главе «Ввод в эксплуатацию».</li> </ul>
50 часов (Еженедельно)	<ul style="list-style-type: none"> <li>• Почистите и промойте элементы воздушного фильтра.</li> <li>• Выполняйте процедуру чаще, если устройство используется в грязном или пыльном помещении.</li> <li>• Замените моторное масло (Первую замену масла необходимо выполнить после 25 часов эксплуатации устройства).</li> <li>• Проверьте свечу зажигания, почистите и отрегулируйте при необходимости.</li> <li>• Проверьте и почистите отсечный топливный клапан.</li> </ul>
100 часов	<ul style="list-style-type: none"> <li>• Замените свечу зажигания.</li> <li>• Замените фильтрующий элемент воздушного фильтра.</li> <li>• Удалите нагар с головки цилиндров, клапанов и поршня.</li> <li>• Проверьте и замените угольные щетки.</li> </ul>
300 часов или раз в год	<ul style="list-style-type: none"> <li>• Осмотрите компоненты панели управления.</li> <li>• Проверьте ротор и статор.</li> </ul>
3 года	<ul style="list-style-type: none"> <li>• Замените резиновые монтажные опоры двигателя.</li> <li>• Проведите капитальный ремонт двигателя.</li> <li>• Замените топливные шланги.</li> </ul>

### Замена моторного масла

Первую замену масла необходимо выполнить после 25 часов эксплуатации устройства. Меняйте масло каждые 50 часов. Перед заменой масла обеспечьте наличие соответствующих средств для слива отработанного масла. Не сливайте отработанное масло в канализацию, на землю или в речку.

Для быстрого и полного слива масла выполняйте эту операцию на горячем двигателе.

1. Снимите пробку-щуп горловины для заправки масла и пробку сливного отверстия, и слейте масло в подходящую емкость.
2. По окончании слива заверните и затяните пробку сливного отверстия.
3. Наполните картер моторным маслом рекомендованного типа и проверьте уровень масла.
4. Установите на место и затяните пробку-щуп заправочной горловины.
5. Проверьте отсутствие утечек масла после заправки.
6. Удалите все следы масла чистой тряпкой.

### Очистка воздушного фильтра

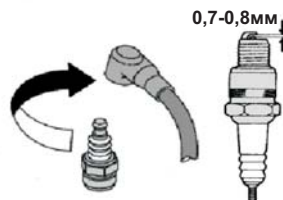
1. Отстегните зажим крепления крышки воздушного фильтра и снимите крышку.
2. Извлеките фильтрующий элемент и внимательно проверьте на отсутствие в них дыр и разрывов. Замените в случае повреждения.
3. Промойте элемент из пеноматериала в теплом растворе бытового моющего средства и тщательно прополощите, или промойте в невоспламеняющемся или трудно воспламеняющемся растворителе. Тщательно просушите элемент. Пропитайте элемент чистым моторным маслом и отожмите излишек масла. Если в элементе останется слишком много масла, при первом запуске двигатель будет дымить.
4. Произведите сборку в обратном порядке



### Проверка свечи зажигания

1. Снимите колпачок со свечи зажигания и при помощи свечного ключа выверните свечу.
2. Осмотрите свечу зажигания с изношенными электродами, оплавленным или отслаивающимся изолятором, следует утилизировать. Если Вы будете использовать свечу зажигания далее, очистите ее металлической щеткой.
3. Проверьте зазор между электродами свечи - должен составлять 0,7-0,8 мм. Проверьте состояние уплотнительной шайбы свечи зажигания и заверните свечу вручную, чтобы не повредить резьбу.
4. Завернув свечу зажигания вручную, доверните ее при помощи свечного ключа, чтобы сжать шайбу.

**Примечание:** Устанавливая новую свечу, доверните ее на 1/2 оборота, чтобы сжать шайбу. Устанавливая ранее использовавшуюся свечу, доверните ее на 1/8 -1/4 оборота, чтобы сжать шайбу.

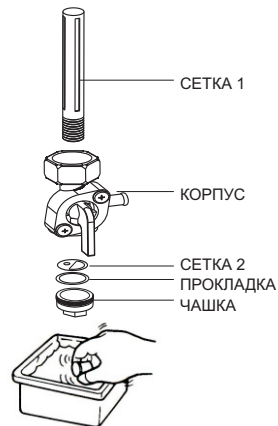




### Очистка стакана отстойника

Грязь и вода из топлива удаляются с помощью отстойника.

1. Снимите чашку отстойника и удалите воду и грязь.
2. Почистите сеточки и чашку отстойника бензином.
3. Надежно прикрепите чашку к основному корпусу, избегая появления утечек.



## 7. Консервирование электростанции

Если электростанция не будет эксплуатироваться в течение длительного времени, ее следует специально подготовить к хранению. Убедитесь в том, что в зоне хранения нет избытка пыли или влаги. Очистите внешние поверхности и нанесите средство против ржавчины.



- Осторожно слейте топливо из топливного бака. Бензин, который остается в топливном баке ухудшится по качеству, что впоследствии приведет к трудностям запуска двигателя.
- Ослабьте сливной винт в нижней части карбюратора и полностью слейте топливо.
- Замените моторное масло.
- Проверьте наличие ослабленных винтов и болтов, и при необходимости затяните.
- Тщательно протрите электростанцию промасленной тканью.
- Потяните ручку стартера, пока не почувствуете сопротивление, оставьте ручку в этом положении.
- Храните генератор в хорошо проветриваемом помещении с низким уровнем влажности.





## 8. Неисправности и их устранение

Если после нескольких попыток электростанция не запускается или на выходной розетке отсутствует напряжение, тогда выполните процедуры, которые указаны ниже. Если двигатель все равно не запускается или отсутствует напряжение, тогда обратитесь в ближайший официальный Сервисный Центр для получения дополнительной информации.

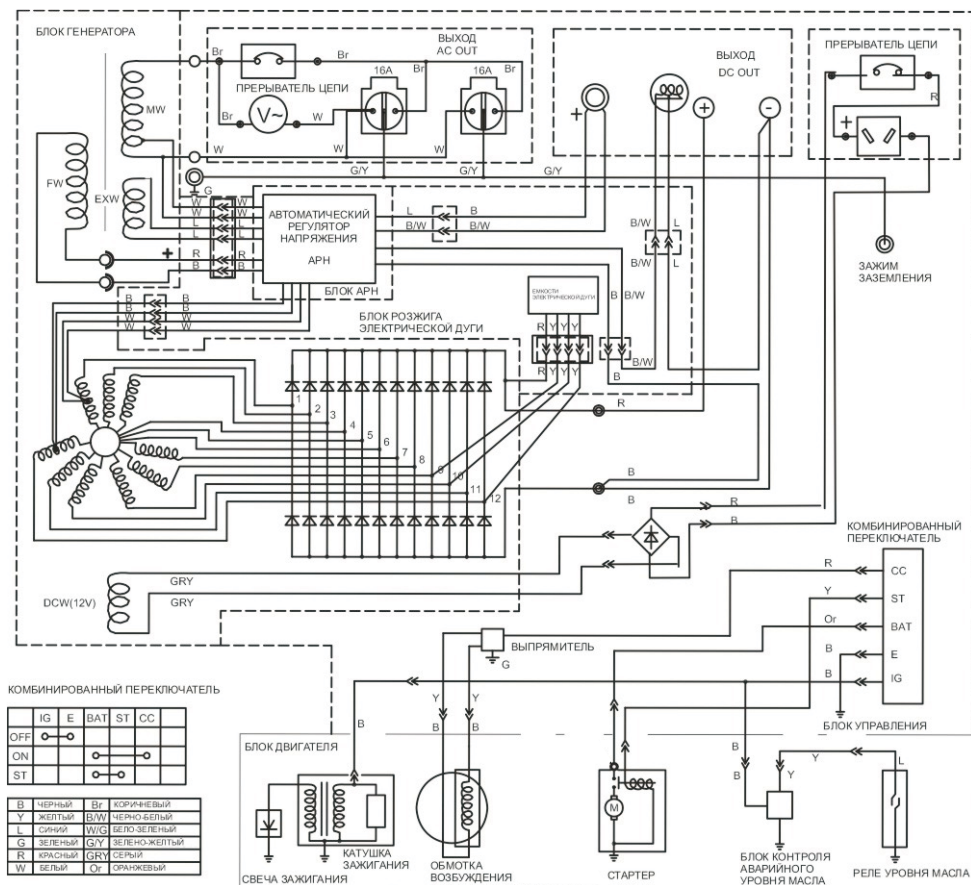
### Если двигатель не запускается:

Проверьте, чтобы воздушная заслонка находилась в правильном положении.		Переведите воздушную заслонку в положение «CLOSE» (ЗАКРЫТЬ).
Проверьте, чтобы топливный кран был открыт.		Откройте кран, если он закрыт.
Проверьте уровень топлива.		Если бак пустой, долейте топливо, убедившись, что он не переполнен.
Убедитесь в том, что электростанция не соединен с потребителем.		Если потребитель подсоединен, выключите выключатель питания на подсоединенном потребителе и выньте вилку из розетки.
Проверьте, чтобы колпачок свечи зажигания не был ослаблен.		Если колпачок ослаблен, поставьте его на место.
Проверьте свечу зажигания на наличие грязи.		Снимите свечу зажигания и почистите электроды.

### Если в розетке отсутствует напряжение:

Проверьте, чтобы выключатель автоматической защиты не находится в положении ON (ВКЛ).		После проверки, что общая мощность электрического потребителя находится в допустимых пределах и устройство не имеет дефектов, переведите прерыватель цепи в положение «ON» (ВКЛ). Если прерыватель продолжает срабатывать, тогда обратитесь в ближайший Сервисный Центр.
Проверьте наличие ослабленных соединений на клеммах постоянного тока.		При необходимости затяните ослабленные соединения.
Проверьте, не имеет ли потребитель или оборудование какие-либо дефекты.		Замените или отремонтируйте потребитель или оборудование.

## 9. Схема электрическая



## 10. Гарантийные обязательства

Гарантийный срок на оборудование указывается в прилагаемом сервисном талоне.

Гарантия относится к дефектам в материалах и узлах и не распространяется на компоненты, подверженные естественному износу и работы по техническому обслуживанию.

Гарантийному ремонту подлежат только очищенные от пыли и грязи аппараты в заводской упаковке, полностью укомплектованные, имеющие инструкцию по эксплуатации, гарантийный талон с указанием даты продажи, при наличии штампа магазина, заводского номера и оригиналов товарного и кассового чеков, выданных продавцом.

В течение гарантийного срока Сервисный центр устраняет за свой счёт выявленные производственные дефекты. Производитель снимает свои гарантийные обязательства и юридическую ответственность при несоблюдении потребителем инструкций по эксплуатации, самостоятельной разборки, ремонта и технического обслуживания аппарата, а также не несет никакой ответственности за причиненные травмы и нанесенный ущерб.